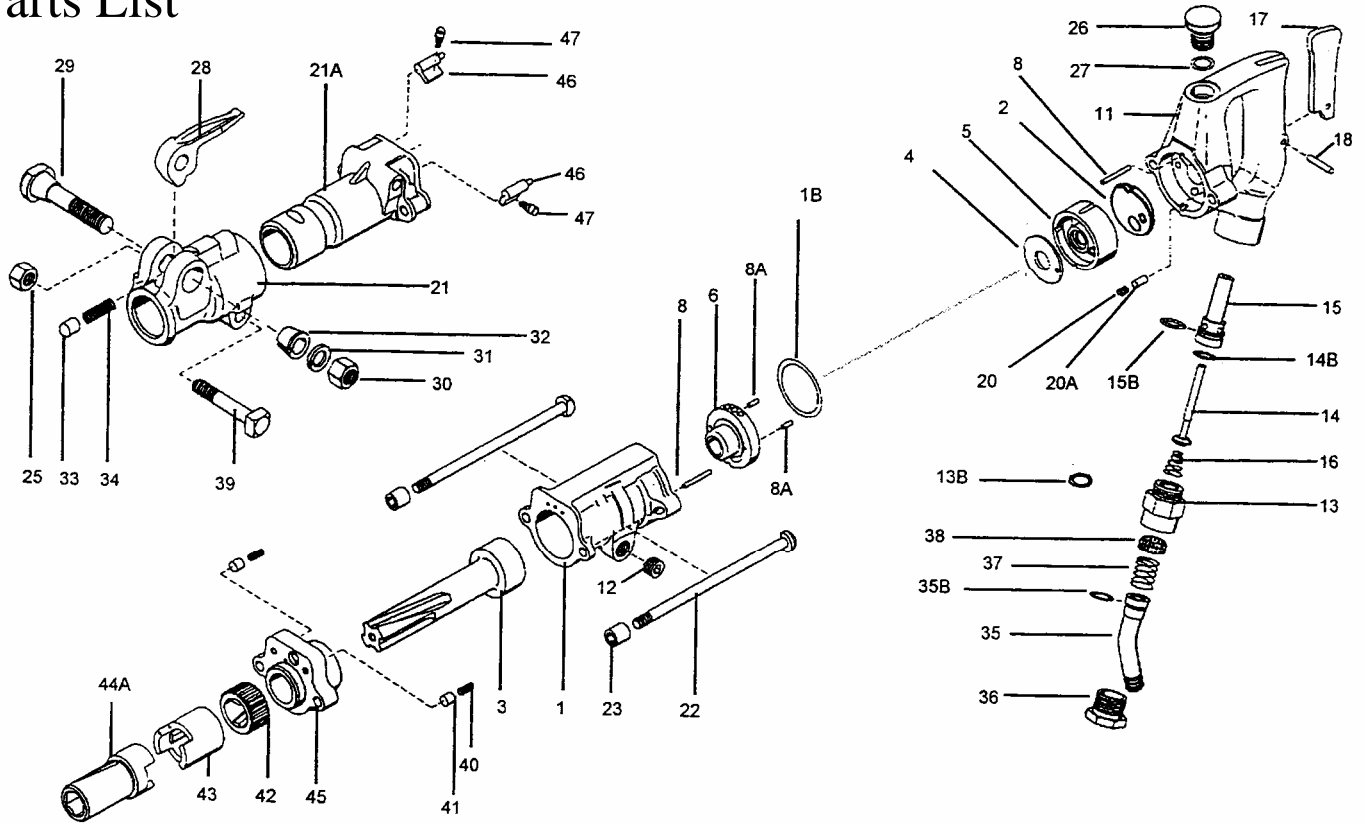




711 Lake Street Phone (800) 527-2282
 Kent, Ohio 44240 Fax (330) 677-1616
 Portland, Oregon Phone (800) 624-1616

RD7B Redline Rock Drill

Parts List



Item	Kent P/N	Description	Item	Kent P/N	Description
1	K14601	Cylinder	25	K14628	Fronthead Bolt Nut
1B	K14602	Cylinder O-Ring	26	K14629	Oil Plug
2	K14603	Valve Gasket	27	K14630	Plug O-Ring
3	K14604	Piston	28	K14631	Latch Retainer (forged)
4	K14605	Valve	29	K14632	Retainer Bolt
5	K14606	Upper Valve Block	30	K14633	Retainer Bolt Nut
6	K14607	Lower Valve Plate	31	K14634	Lockwasher
8	K14608	Dowel Pin (2)	32	K14635	Cone washer
8A	K14609	Location Pin (2)	33	K14636	Plunger
11	K14610	Handle Bare	34	K14637	Plunger Spring
12	K14611	Seal Plug	35	K14638	Air Inlet Swivel
13	K14612	Handle Bushing	35B	K14639	Air Inlet Swivel O-Ring
13B	K14613	Handle Bushing O-Ring	36	K14640	Air Inlet Swivel Nut
14	K14614	Throttle Valve	37	K14641	Inlet Swivel Spring
14B	K14615	Throttle Valve O-Ring	38	K14642	Air Inlet Screen
15	K14616	Throttle Valve Bushing	39	K14643	Fronthead Bolt
15B	K14617	Throttle Valve Bushing O-Ring	40	K14644	Plunger Spring (2)
16	K14618	Throttle Valve Spring	41	K14645	Plunger (2)
17	K14619	Throttle Lever	42	K14646	Ratchet Ring
18	K14620	Throttle Lever Pin	43	K14647	Chuck Driver
20	K14621	Oil Control Plug	44A	K14648	Chuck 7/8" x 3-1/4"
20A	K14622	Oil Felt	NS	K14649	Chuck 7/8" x 4-1/4"
21	K14623	Fronthead	45	K14650	Front Bearing
21A	K14624	Fronthead Holder 7/8" x 3-1/4"	46	K14651	Pawl (2)
NS	K14625	Fronthead Holder 7/8" x 4-1/4"	47	K14652	Pawl Spring (2)
22	K14626	Side Rod			
23	K14627	Side Rod Nut			