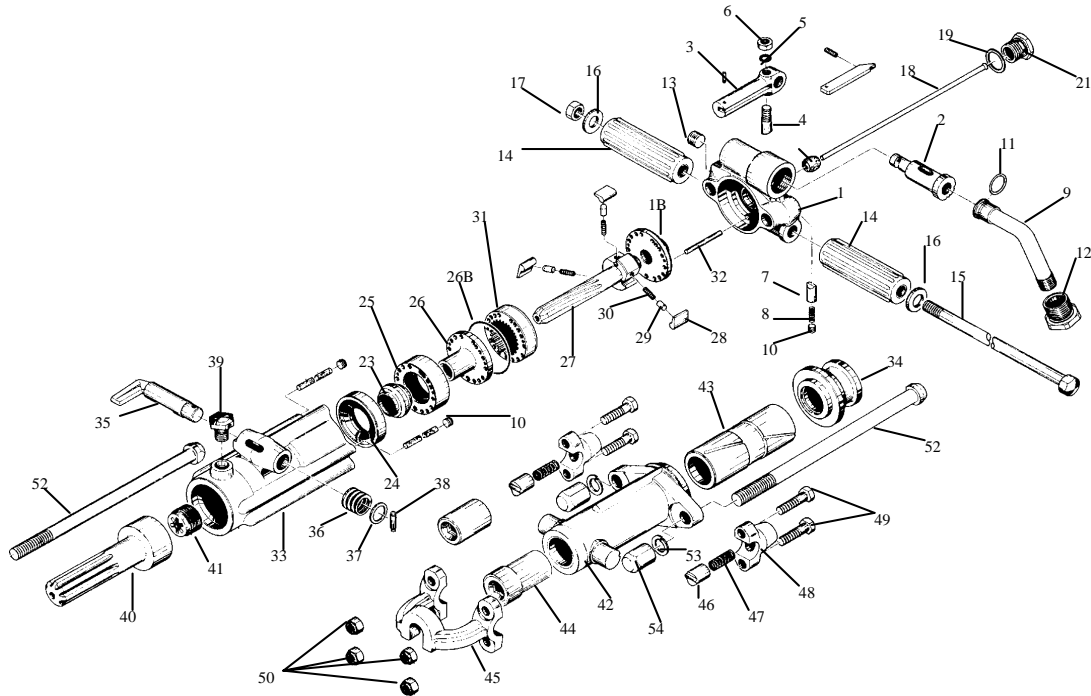




711 Lake Street Phone (800) 527-2282
 Kent, Ohio 44240 Fax (330) 677-1616
 Portland, Oregon Phone (800) 624-1616

RD75 Redline Rock Drill

Parts List



Item	Kent P/N	Description	Item	Kent P/N	Description
1	K14350	Backhead w/Bushing	28	K14374	Pawl (Non-Reversible) (3)
1B	K14351	Backhead Bushing	29	K14375	Pawl Plunger (3)
2	K14352	Throttle Valve	30	K14376	Pawl Spring (3)
3	K14353	Throttle Valve Handle	31	K14377	Ratchet Ring
4	K14354	Throttle Valve Handle Bolt	32	K14378	Valve Dowel
5	K14355	Throttle Valve Handle Washer	33	K14379	Cylinder
6	K14356	Throttle Valve Handle Bolt Nut	34	K14380	Front Washer Bushing
7	K14357	Detent Plunger	35	K14381	Exhaust Valve
8	K14358	Detent Spring	36	K14382	Exhaust Valve Spring
9	K14359	Air Inlet Swivel	37	K14383	Exhaust Valve Washer
10	K14360	Detent Spring Plug	38	K14384	Exhaust Valve Pin
11	K14361	Swivel O-Ring	39	K00198	Oil Filler Plug
12	K01295	Swivel Nut	40	K14385	Piston
13	K14363	Backhead Plug	41	K14386	Rifle Nut
14	K01439	Handle Grip Complete (2)	NS	K14387	Steel Rifle Nut
15	K06358	Handle Bolt	42	K14388	Fronthead 1 x 4-1/4
16	K07230	Handle Bolt Washer (2)	43	K14389	Chuck Driver 1 x 4-1/4
17	K06346	Handle Bolt Nut	44	K14390	Chuck Bushing 1 x 4-1/4
18	K14364	Blow Tube	NS	K14391	Chuck Bushing 7/8 x 4-1/4
19	K14365	Blow Tube Washer (No longer used)	45	K14392	Steel Retainer 1 x 4-1/4
20	K14366	Blow Tube Rubber Seal	46	K14393	Steel Retainer Plunger (2)
21	K14367	Blow Tube Gland	47	K01288H	Retainer Spring (2)
23	K14368	Automatic Valve	48	K14394	Steel Retainer Cap (2)
24	K14369	Front Valve Chest	49	K14395	Steel Retainer Bolt (4)
25	K14370	Rear Valve Chest	50	K14396	Steel Retainer Bolt Nut (4)
26	K14371	Valve Guide	51	K14397	Oil Felt (2)
26B	K14372	O-Ring (No longer used)	52	K14398	Side Rod (2)
27	K14373	Rifle Bar	53	K14399	Side Rod Lock Washer (2)
NS	K14402	Muffler	54	K14400	Side Rod Bolt Nut (2)
OPT	K14349	Wet Kit Upgrade	NS	K14401	Chuck Bushing 7/8 x 4-1/4
			NS	K14429	Steel Retainer 7/8 X 4-1/4
			NS	K06519	H.D. Steel Retainer Cap (item 48)