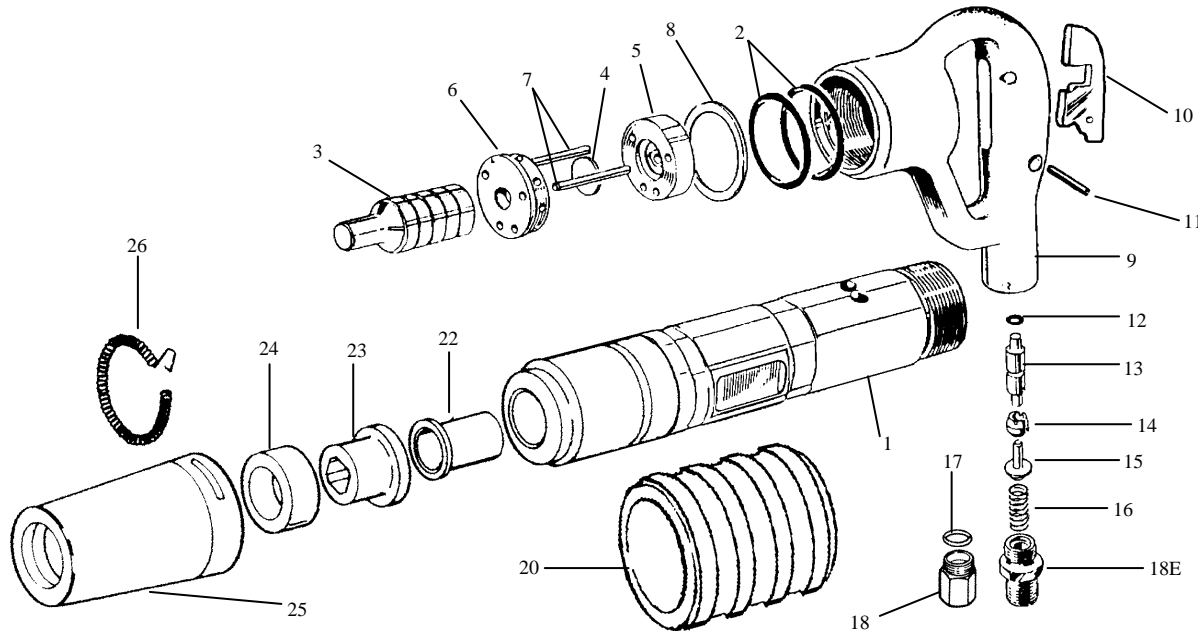




711 Lake Street Phone (800) 527-2282
 Kent, Ohio 44240 Fax (330) 677-1616
 Portland, Oregon Phone (800) 624-1616

K600 Redline Mini Rivet Buster

Parts List



Item	Kent P/N	Description	Item	Kent P/N	Description
1	K14430	Cylinder (Rivet Buster Type)	14	K14444	Throttle Valve (Sub 6172)
2	K14431	Cylinder "O"-Ring (2)	15	K14445	Throttle Valve Stem
3	K14432	Piston (1.395" Ø)	16	K14446	Throttle Valve Spring
4	K14433	Valve Disc	17	K14447	Air Inlet "O"-Ring Use Item 18 or 18E
5	K14434	Valve Plate Upper	18	K14448	Air Inlet Bushing
6	K14435	Valve Plate Lower	18E	K14449	Air Inlet (Male Pipe Thread)
7	K14436	Dowel Pin (2)	20	K14450	Muffler
8*	K14437	Packing Ring (2)	22	K14001	Upper Sleeve Bushing
9	K14438	Handle Bare	23	K14029	Lower Sleeve Bushing
NS	K14439	Handle Complete	24	K14030	Retainer Bumper (Urethane)
10	K14440	Throttle Lever	25	K14031	Retainer
11	K14441	Throttle Lever Pin	26	K14032	Retainer Spring
12	K14442	Push Rod "O"-Ring	NS	K02460	Swivel (for K14448, only)
13	K14443	Push Rod			

*Please note that when tool has been dismantled, the (2) Packing Rings K14437 must be replaced.