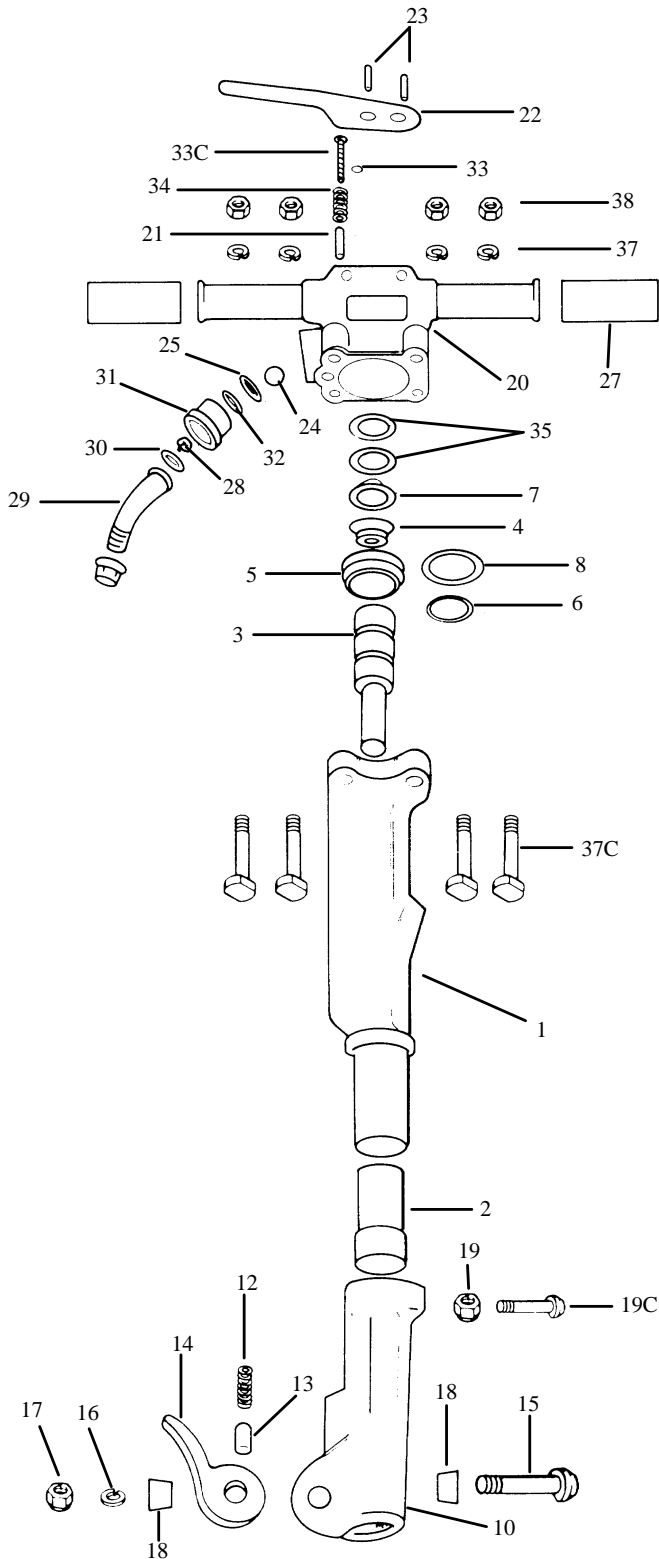




711 Lake Street Phone (800) 527-2282
 Kent, Ohio 44240 Fax (330) 677-1616
 Portland, Oregon Phone (800) 624-1616

K20R Redline Paving Breaker

Parts List



Item	Kent P/N	Description
1	K04075	Cylinder
2	K04091	Cylinder Bushing 1 x 4-1/4 hex
3	K04076	Piston Hammer
4	K04077	Automatic Valve
5	K04078	Valve Chest
6	K04079	Valve Chest O-Ring, Lower
7	K04080	Valve Cover
8	K04081	Valve Chest O-Ring, Upper
NS	K06421	Front Head Assembly
10	K04090	Front Head
12	K01288	Steel Retainer Spring
13	K01287	Steel Retainer Plunger
14	K01136	Steel Retainer
15	K01132	Steel Retainer Bolt
16	K03997	Retainer Bolt Lockwasher
17	K00954	Retainer Bolt Nut
18	K05719	Retainer Bolt Bushing-Std
NS	K01131	Retainer Bolt Bushing, Steel Optional
19-C	KBM06131	Fronthead Bolt Assembly
19	K00694	Fronthead Bolt Nut
NS	KBM04084	Backhead Assembly
20	K04083	Backhead, Includes K04086
21	K04086	Throttle Valve Stem Bushing
22	K01296	Throttle Lever
23	K01292	Throttle Lever Pin
24	K04092	Throttle Valve Ball
25	K04088	Air Inlet Swivel Seat
NS	K04089	1/2" to 3/4" NPT Adapter
27	K03019	Handle Grip
28	K02846	Air Inlet Screen
29	K05802	Air Inlet Swivel, 1/2" NPT
30	K01551	Air Inlet Swivel O-Ring
31	K05800	Air Inlet Swivel Nut
32	K01932	Air Inlet Swivel Nut O-Ring
33-C	KBM04085	Throttle Valve Stem, Includes K04093
33	K04093	Throttle Valve Stem O-Ring
34	K04087	Throttle Valve Spring
35	K04082	Backhead Spring
37-C	KBM06129	Backhead Bolt Assembly
37	K01146	Backhead Bolt Lockwasher
38	K00694	Backhead Bolt Nut
NS	KBM00574	Muffler