

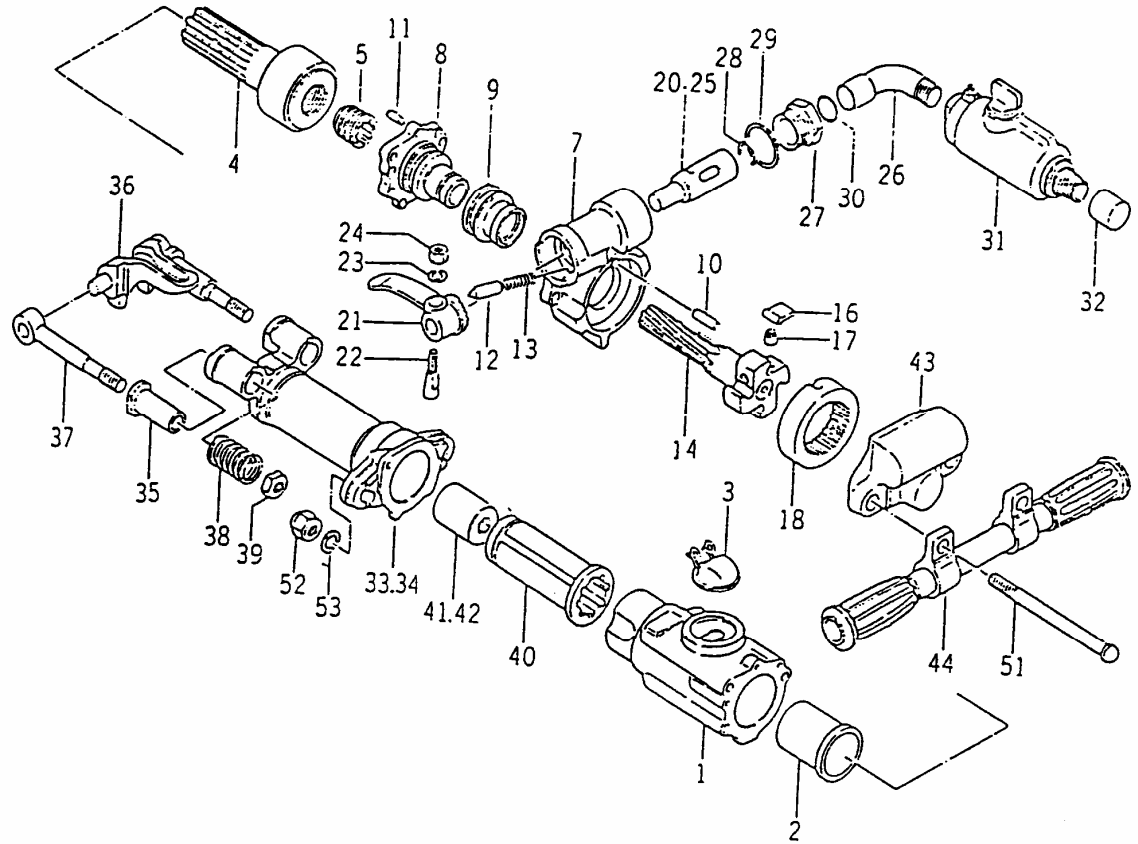


711 Lake Street
 Kent, Ohio 44240
 Company Headquarters:
 West Coast Warehouse:

Phone: (330) 673-5826
 Fax: (330) 677-1616
 (800) 527-2282
 (800) 624-1616

RD-112D Redline Rock Drill

Parts List After S/N 510001



Item	Kent P/N	Description
1	K17500	Cylinder
2	K18601	Cylinder Bushing
3	K17501	Exhaust Cap
4	K17502	Piston (Marked "M")
5	K17503	Rifle Nut (Marked "M")
7	K17504	Valve Case
8	K18607	Valve Plug
9	K18608	Valve
10	K17505	Ratchet Ring Dowel
11	K18610	Valve Case Dowel
12	K18611	Detent Plunger
13	K18612	Detent Plunger Spring
14	K18613	Rifle Bar
16	K18615	Pawl
17	K18616	Pawl Spring
18	K18617	Ratchet Ring
19	K18618	O-Ring (No Longer Used)
20	K17506	Throttle Valve w/K17507 O-ring
21	K18620	Throttle Handle
22	K17508	Throttle Bolt
23	K17509	3/8" Spring Washer
24	K17510	3/8" Nut
26	K18625	Air Hose Tube

Item	Kent P/N	Description
27	K18626	Air Hose Plug
28	K18627	Air Hose Tube Retainer
29	K18628	Air Hose Washer
30	K17512	O-Ring
31	K18630	Crystal Oiler
32	K17511	Connection Tube Cap
33	K18632	Fronthead (7/8" X 3-1/4")
34	K18633	Fronthead (7/8" X 4-1/4")
35	K18634	Fronthead Bushing
36	K18635	Steel Puller
37	K17513	Steel Puller Bolt
38	K18637	Steel Puller Spring
39	K17514	Steel Puller Nut
40	K18639	Sleeve
41	K18640	Rotation Sleeve Bushing (7/8" X 3-1/4")
42	K18641	Rotation Sleeve Bushing (7/8" X 4-1/4")
43	K18642	Backhead
44	K18643	Sinker Handle
51	K17515	Through Bolt
52	K17517	Through Bolt Nut
53	K17516	1/2" Spring Washer

* On 112D Rock Drills purchased prior to December 1999, K04179 O-ring in the backhead may be required for rebuild.