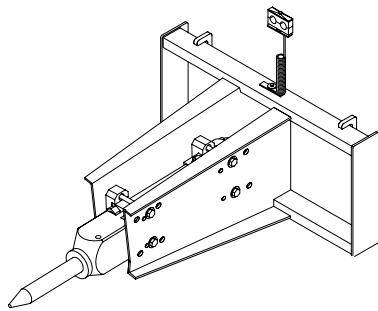


# Skidsteer Bracket Types for KENT F-SERIES HAMMERS

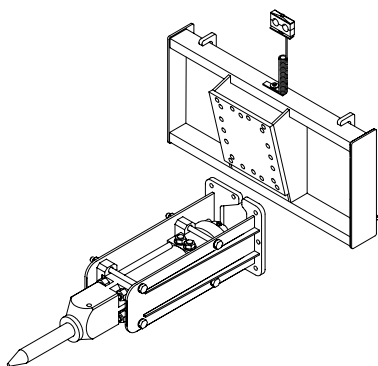


## One-Piece Rigid Quick Attach Bracket

26660 = Bobcat/Gehl (Universal)

26661 = Case

Breakers = F3, F4, F5, F6



## Bolt-On Quick Attach Bracket for FSP Side Plates or 'QT' Box

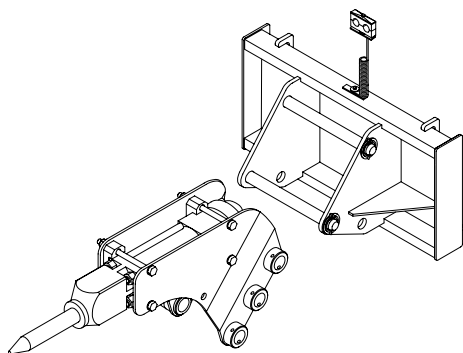
26670 = F3 & F5 Bobcat/Gehl (Universal)

26671 = F4 & F6 Bobcat/Gehl (Universal)

26672 = F3 & F5 Case

26673 = F4 & F6 Case

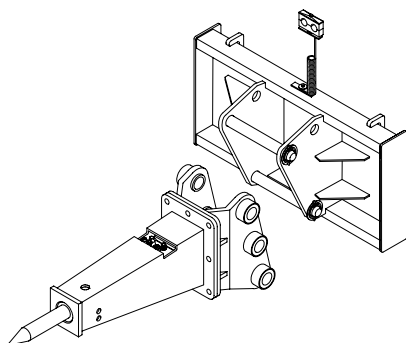
Breakers = F3, F4, F5, F6



## 2-Piece, 2-Position Quick Attach Bracket with TLB Side Plates

26675 = Bobcat/Gehl (Universal)

Breakers = F4, F5



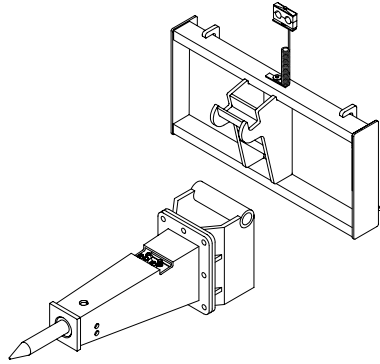
## 2-Piece, 2-Position Quick Attach Bracket with Universal Top Cap and 'QT' Box or FSP Side Plates

26666 = Bobcat/Gehl (Universal)

26667 = Case

Breakers = F3, F4, F5, F6

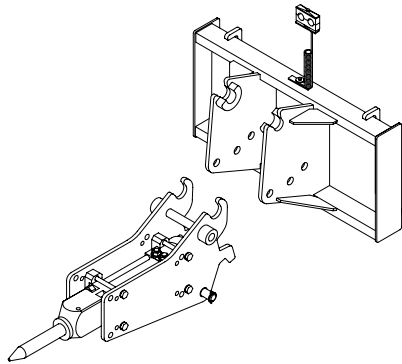
# Skidsteer Bracket Types for KENT F-SERIES HAMMERS



## C & P 027 Quick Attach Bracket

26750 = Bobcat/Gehl (Universal)

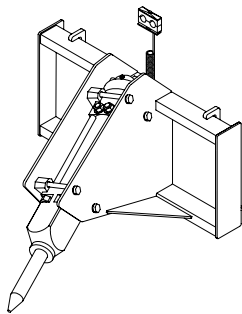
Breakers = F3, F4, F5, F6



## Weldco-Beales Quick Attach Bracket

26695 = Bobcat/Gehl (Universal)

Breakers = F4

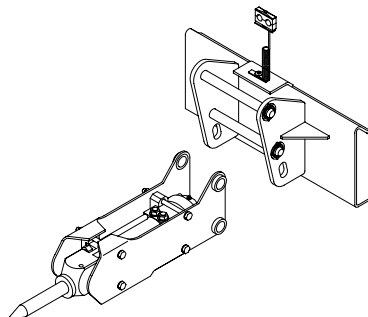


## Mid-mount Quick Attach Bracket

26679 = Bobcat/Gehl (Universal)

26678 = Case

Breakers = F4, F5



## Dingo 320 Compact Utility Loader Quick Attach Bracket

26674 = Standard Bracket

Breakers = F1, F2, F3