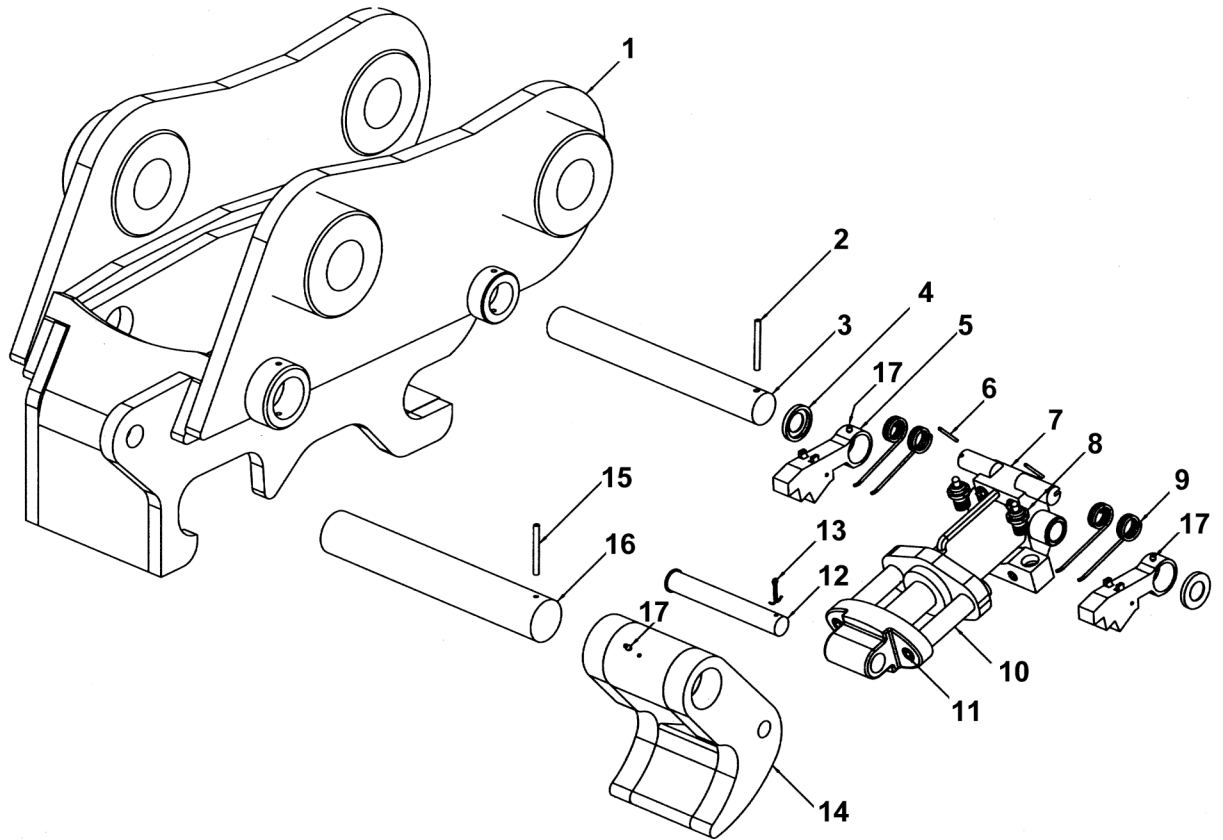


## AUTO-COUPLER PARTS LIST



| <u>ITEM</u> | <u>PART NUMBER</u> | <u>QTY</u> | <u>DESCRIPTION</u> | <u>ITEM</u> | <u>PART NUMBER</u> | <u>QTY</u> | <u>DESCRIPTION</u>    |
|-------------|--------------------|------------|--------------------|-------------|--------------------|------------|-----------------------|
| 1           |                    | 1          | Coupler Body ☐     | 9           |                    | 1          | Return Spring Set (4) |
| 2           |                    | 1          | Roll Pin, 8mm      | 10          |                    | 2          | Safety Bars ☐         |
| 3           |                    | 1          | Cylinder Pin ☐     | 11          |                    | 2          | Cap Screw, M10        |
| 4           |                    | 2          | Retainer           | 12          |                    | 1          | Hook Pin ☐            |
| 5           |                    | 2          | Locking Dog        | 13          |                    | 1          | Split Pin, 6mm        |
| 6           |                    | 2          | Roll Pin, 5mm      | 14          |                    | 1          | Coupler Hook ☐        |
| 7           |                    | 1          | Cylinder, Bare     | 15          |                    | 1          | Roll Pin, 10mm        |
|             |                    | 1          | Cylinder Assembly  | 16          |                    | 1          | Pivot Pin ☐           |
| 8           |                    | 2          | Release Piston     | 17          |                    | 3          | Grease Nipple         |

NOTE: When ordering the marked (☐) items, it is necessary to specify the serial number of the auto-coupler, and the exact excavator model the coupler was built to fit.

